

Connecting hoses

Type FS



G $\frac{1}{2}$ " external thread and flat seal



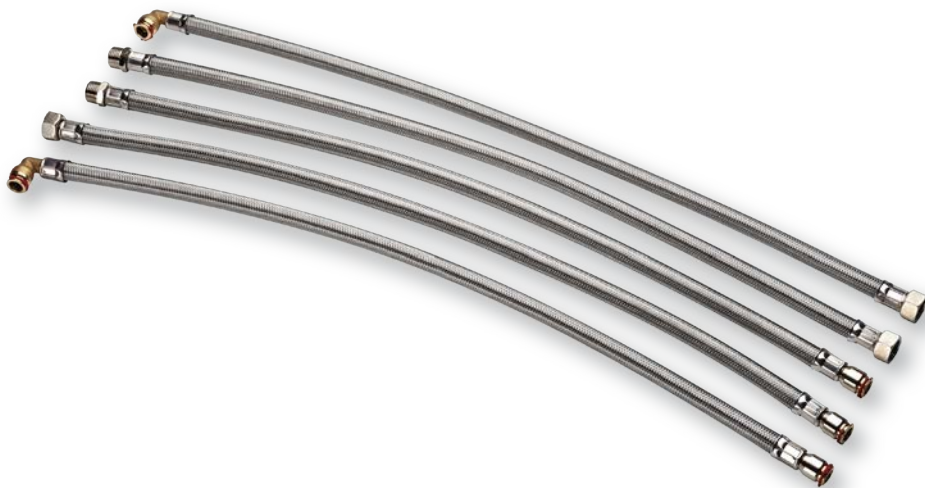
G $\frac{1}{2}$ " union nut and flat seal



Push-fit coupling, 90°



Stainless steel overbraid



Connecting hoses for the water-side connection of air-water systems and decentralised ventilation units

Plastic hose with oxygen diffusion barrier, stainless steel overbraid, available with various end pieces to fit different requirements

- Can be used for water or water glycol mixtures (up to 30% glycol)
- Detachable push-fit couplings are supplied with a red O-ring seal
- Various G $\frac{1}{2}$ " or G $\frac{3}{4}$ " threads
- Connecting piece either straight or 90°
- Nominal length: 500, 750, 1000 mm
- Other lengths upon request

Optional equipment and accessories

- Push-fit coupling for Ø12 mm Cu pipe, either straight or 90°
- Connecting piece with G $\frac{1}{2}$ " external thread and flat seal, either straight or 90°
- Connecting piece with G $\frac{1}{2}$ " union nut and flat seal, either straight or 90°

Type		Page
FS	General information	FS – 2
	Function	FS – 3
	Technical data	FS – 4
	Specification text	FS – 5
	Order code	FS – 6
	Variants	FS – 7
	Dimensions and weight	FS – 8
	Installation details	FS – 10

Application

Application

- Flexible water-side connection between the pipework (heating and/or cooling) and the heat exchangers of air-water systems
- With connecting hoses it is possible to remove or swivel out heat exchangers for cleaning and maintenance without having to empty the system
- Connecting hoses are suitable for all air-water systems, chilled ceilings, chilled beams,

induction units and façade ventilation units

Special characteristics

- With oxygen diffusion barrier
- Various push-fit and screw-on connecting pieces

Nominal sizes

- 500, 750, 1000 mm
- DN 10 and DN 13

Description

Variants

- The PE hoses with oxygen diffusion barrier and with stainless steel overbraid are available with DN 10 and DN 13

Construction

- The various couplers can be combined as needed
- Ø10 mm push-fit couplings are available for DN 10 hoses only

Construction features

Connection

- Push-fit coupling, straight
- Push-fit coupling, 90°
- G½" external thread with flat seal
- G½" union nut with flat seal
- 90° connection with G½" union nut and flat seal

Materials and surfaces

- The hoses are a crosslinked thermoplastic elastomer (TPE) with a stainless steel overbraid
- The end pieces are made of brass, rubber, stainless steel and/or plastic, depending on the type of coupling
- All materials are free of halogens, PVC or silicone

Standards and guidelines

- With oxygen diffusion barrier to DIN 4726

Maintenance

- Maintenance-free as construction and materials are not subject to wear

Functional description

Connecting hoses of Type FS allow for the flexible connection of heat exchangers in air-water systems to the pipework. This facilitates

installation and, even more so, maintenance. The heat exchangers of many products can be removed or swivelled out (for cleaning) if connected with flexible hoses.

Lengths	500, 750, 1000 mm
Nominal width	10, 13 mm (to fit Ø10 mm or Ø12 mm Cu pipes)
Maximum operating pressure	6 bar
Application temperature	-20 to 55 °C

This specification text describes the general properties of the product.

Description

Connecting hoses with oxygen diffusion barrier enable a simple, quick water-side connection between our components and the on-site pipe system.

Special characteristics

- With oxygen diffusion barrier
- Various push-fit and screw-on connecting pieces

Materials and surfaces

- The hoses are a crosslinked thermoplastic elastomer (TPE) with a stainless steel overbraid
- The end pieces are made of brass, rubber, stainless steel and/or plastic, depending on the

type of coupling

- All materials are free of halogens, PVC or silicone

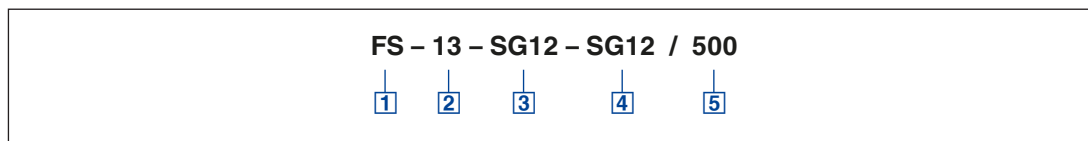
Construction

- The various couplers can be combined as needed
- Ø10 mm push-fit couplings are available for DN 10 hoses only

Technical data

- Length: 500, 750, 1000 mm
- Nominal length: 10 and 13 mm, to fit Ø10 mm or Ø12 mm Cu pipes
- Max. operating pressure: 6 bar
- Application temperature: -20 °C to +55 °C

FS



1 Accessories

FS Connecting hoses

2 Nominal size [mm]

10
13

3 Connection type 1

SG10 Push-fit coupling, straight, Ø10 mm (NW 10 only)

SG12 Push-fit coupling, straight, Ø12 mm

SW10 Push-fit coupling, 90°, Ø10 mm (NW 10 only)

SW12 Push-fit coupling, 90°, Ø12 mm

A1/2 G½" external thread with flat seal

U1/2 G½" union nut with flat seal

UW1/290°, G½" union nut with flat seal

4 Connection type 2

5 Nominal length [mm]

500
750
1000
1500
2000

Order examples

FS-10-SG12-SG12/750

Nominal width	10 mm
Connection type 1	Push-fit coupling, straight, Ø12 mm
Connection type 2	Push-fit coupling, straight, Ø12 mm
Nominal length	750 mm

FS-13-SG12-SW12/1000

Nominal width	13 mm
Connection type 1	Push-fit coupling, straight, Ø12 mm
Connection type 2	Push-fit coupling, 90°, Ø12 mm
Nominal length	1000 mm

Product examples

Push-fit coupling, 90°



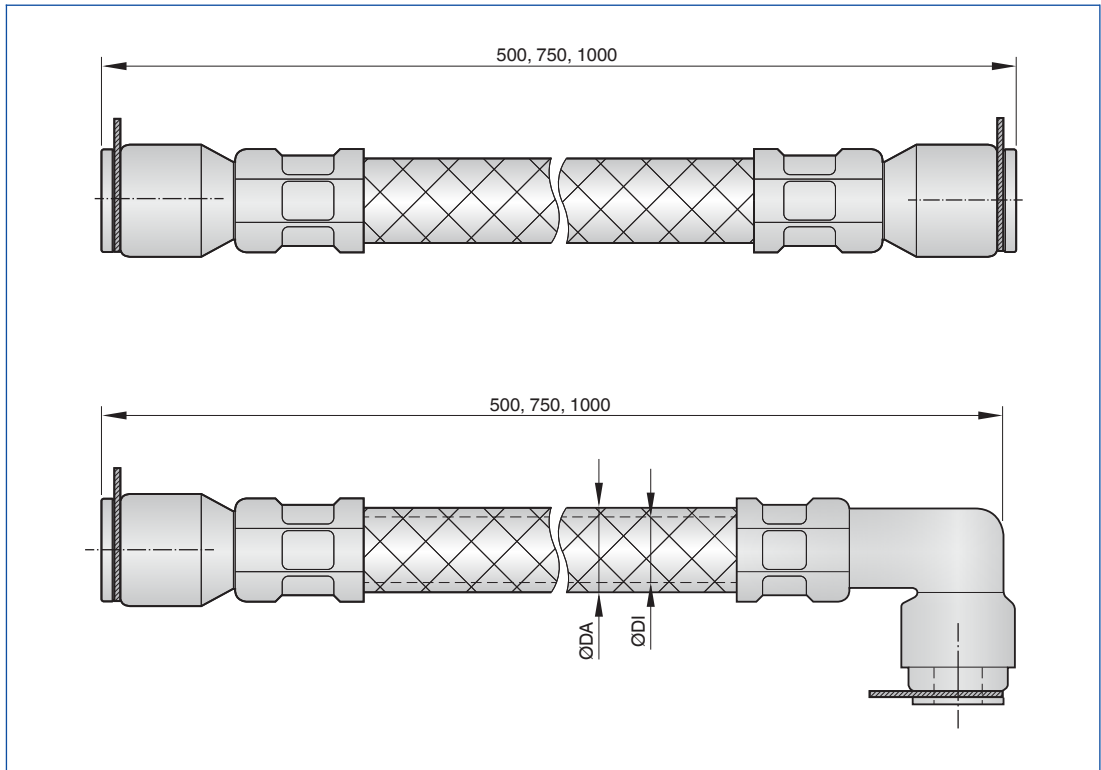
G $\frac{1}{2}$ " union nut and flat seal



G $\frac{1}{2}$ " external thread and flat seal



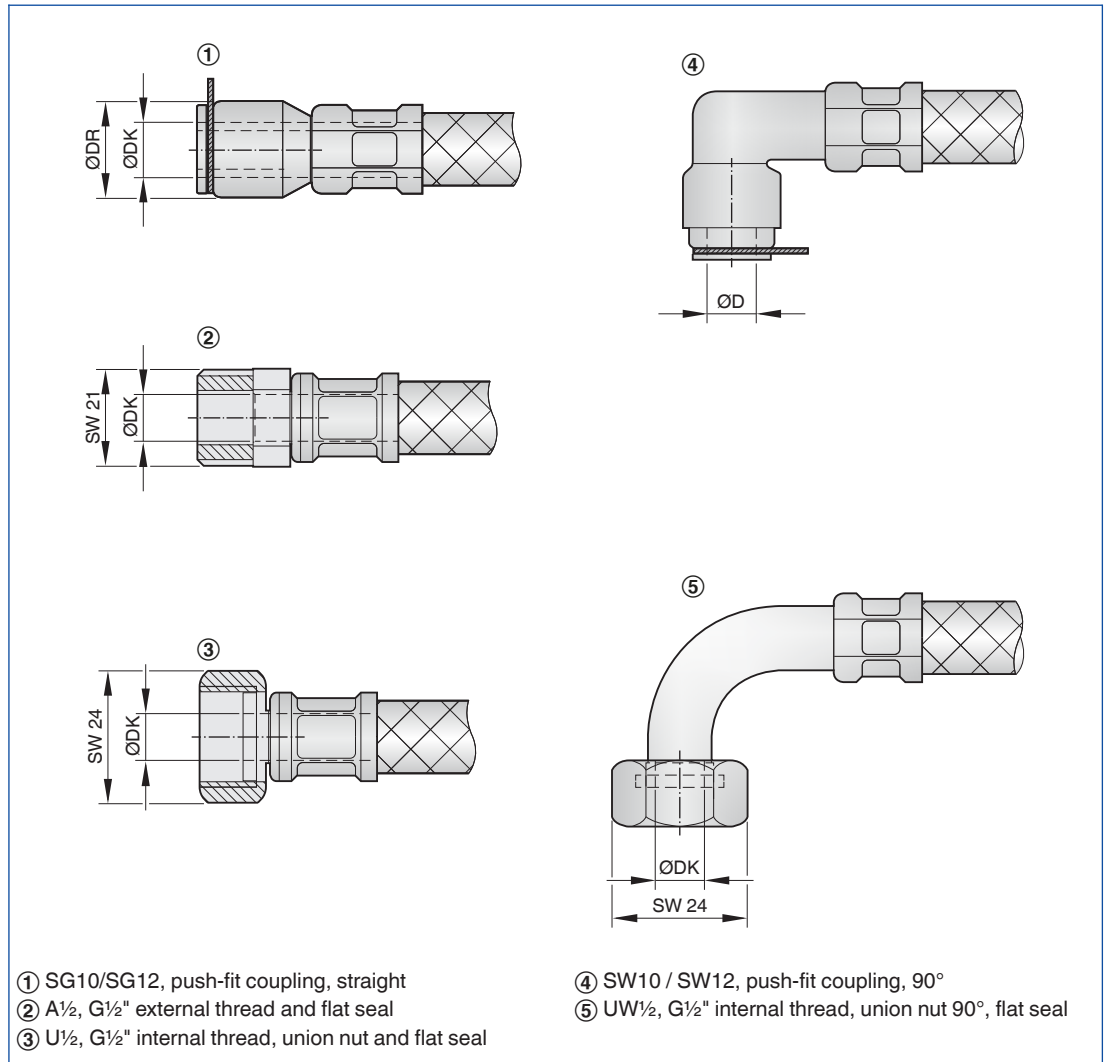
FS, flexible connecting hose



Dimensions [mm]

Hose DN	Connection	
	ØDA	ØDI
10	14	9.5
13	17	12.5

FS, connection types



Dimensions [mm]

Hose DN	Connection		
	ØD	ØDK	ØDR
10	10	6.8	17.5
13	12	10	19.7

Installation and commissioning

- Connecting hoses are to be installed by others
- Connecting hoses are suitable for water (hot or chilled) and for water glycol mixtures (up to 30 % glycol)
- Connecting hoses must be installed without tension