



TROXNETCOM AS-i

Switching power supply units



Switching power supply unit for 24 V supply

Controlled power supply for sensors, actuators, sensor electronics and controller

- High efficiency of > 84 %
- Input and output with overvoltage protection
- Can be attached to a mounting rail, no tools required
- Output voltage adjustable up to 28 V DC
- Overload protection, up to 1.5 × nominal current
- Very high efficiency, hence very low heat buildup
- LED for secondary voltage



General information	2	TNC-D4011	6
Order code	3	TNC-D4012	8
TNC-D1030	4	TNC-D4013	10

General information

Application

- Switching power supply units are used for supplying 24 V power to AS-i controllers and to operating and display units
- Highly efficient electronic subassemblies that transform an unstable input voltage into a constant DC voltage of a different level



Order code

TNC – D1030
|
1

1 Type

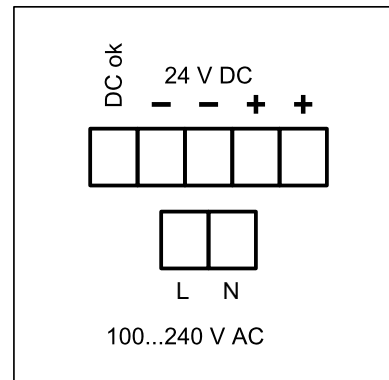
TNC-D1030 Output current 1.25 A

TNC-D4011 Output current 3.3 A

TNC-D4012 Output current 5 A

TNC-D4013 Output current 10 A

TNC-D1030



Application

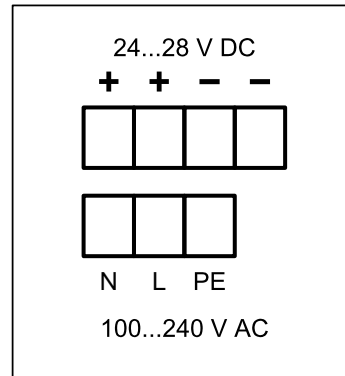
- Switching power supply unit TNC-D1030 (24 V DC; 1.25 A)
- Power supply for AS-i controllers as well as for operating and display units
- Very high efficiency of 84 %
- Low ripple voltage 50 mV
- High reliability

Description	TNC-D1030
Output current	1.25 A
Nominal voltage	< 230 V AC
Input voltage range	100 – 240 V AC
Nominal frequency	47 – 63 Hz
Efficiency	84 %
TROX casing	PC-ABS
Protection level	IP 20
IEC protection class	II (protective earth)
Connection	Spring cage terminals
Temperature range	0 – 70 °C
Derating	2 %/K (> 60 °C)
Output voltage	24 – 28 V DC (± 2 %) to SELV/PELV
Readiness delay time	< 255 s
Max. ripple voltage	50 mV
Mains buffering time	120 ms
Short-circuit protection / overload protection	Yes (to IEC 61140)
EMC	EN 61000-6-2; EN 61000-6-3
LEDs	DC OK; 1 × LED, green
Weight	278.5 g
Dimensions	90 × 45 × 100 mm

Specification text

- Switching power supply unit for supplying the controller or text display with power
- Nominal voltage: < 230 V AC
- Output voltage: 24 – 28 V DC (± 2 %), SELV/PELV
- Output current: 1.25 A
- Nominal frequency: 47 – 63 Hz
- Efficiency: 84 % (230 V AC; 24 V DC/1.25 A)
- Connection: spring cage terminals
- Casing materials: PC-ABS
- Ambient temperature: 0 – 70 °C
- Protection level: IP 20
- Status display: LED green
- Make: TROX GmbH or equivalent

TNC-D4011



Application

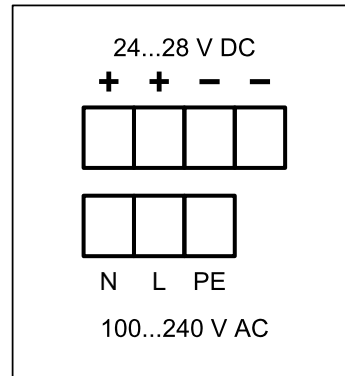
- Switching power supply unit TNC-D4011 (24 V DC; 3.3 A)
- Power supply for AS-i controllers as well as for operating and display units
- Very high efficiency of 89.8 %
- Low ripple voltage, < 0.25 mV
- High reliability

Description	TNC-D4011
Output current	3.3 A
Nominal voltage	< 230 V AC
Input voltage range	100 – 240 V AC
Nominal frequency	47 – 64 Hz
Efficiency	89.8 %
TROX casing	Sheet steel
Protection level	IP 20
IEC protection class	II (protective earth)
Connection	Screw terminals
Temperature range	-25 – +70 °C
Derating	1.8 W/K (60 – 70 °C)
Output voltage	24 – 28 V DC ($\pm 2\%$) to SELV/PELV
Max. ripple voltage	50 mV
Mains buffering time	128 ms
Short-circuit protection / overload protection	Yes (to IEC 61140)
EMC	EN 61000-6-1; EN 61000-6-2; EN 61000-6-3; EN 61000-6-4; EN 61000-3-2
LEDs	DC OK; 1 × LED, green
Weight	569 g
Dimensions	120 × 40 × 128.5 mm

Specification text

- Switching power supply unit TNC-D4011 for supplying power to the controller or text display
- Nominal voltage: < 230 V AC
- Output voltage: 24 – 28 V DC ($\pm 2\%$), SELV/PELV
- Output current: 3.3 A
- Nominal frequency: 64 Hz
- Efficiency: 89.8 %
- Connection: screw terminals
- Casing materials: galvanised sheet steel
- Ambient temperature: -25 to +70 °C
- Protection level: IP 20
- Status display: DC OK, 1 × LED
- Type: TNC-D4011

TNC-D4012



Application

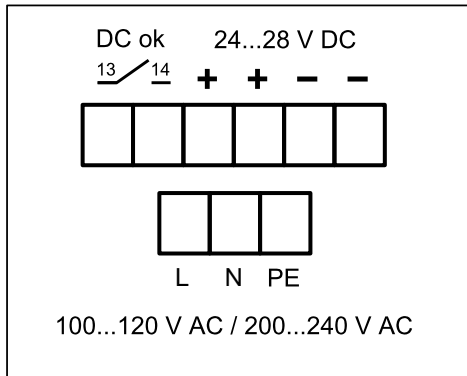
- Switching power supply unit TNC-D4012 (24 V DC; 5 A)
- Power supply for AS-i controllers as well as for operating and display units
- Very high efficiency of 90.2 %
- Low ripple voltage, 50 mV
- High reliability

Description	TNC-D4012
Output current	5 A
Nominal voltage	< 230 V AC
Input voltage range	100 – 240 V AC/200 – 240 V AC
Nominal frequency	47 – 64 Hz
Efficiency	90.2 %
TROX casing	Sheet steel
Protection level	IP 20
IEC protection class	I (protective earth)
Connection	Screw terminals
Temperature range	-25 – +70 °C
Derating	3 W/K (60 – 70 °C)
Output voltage	24 – 28 V DC ($\pm 2\%$) to SELV/PELV
Max. ripple voltage	50 mV
Mains buffering time	78 ms
Short-circuit protection / overload protection	Yes (to IEC 61140)
EMC	EN 61000-6-1; EN 61000-6-2; EN 61000-6-4
LEDs	DC OK; 1 × LED, green
Weight	594.5 g
Dimensions	120 × 40 × 122.5 mm

Specification text

- Switching power supply unit TNC-D4012 for supplying power to the controller or text display
- Nominal voltage: < 230 V AC
- Output voltage: 24 – 28 V DC ($\pm 2\%$), SELV/PELV
- Output current: 5 A
- Nominal frequency: 47 – 63 Hz
- Efficiency: 90.2 %
- Connection: screw terminals
- Casing materials: galvanised sheet steel
- Ambient temperature: -25 to +70 °C
- Protection level: IP 20
- Status display: DC OK, 1 × LED
- Type: TNC-D4012

TNC-D4013



Application

- Switching power supply unit TNC-D4013 (24 V DC; 10 A)
- Power supply for AS-i controllers as well as for operating and display units
- Very high efficiency of 91.6 %
- Low ripple voltage, < 30 mV
- High reliability

Description	TNC-D4013
Output current	10 A
Nominal voltage	< 230 V AC
Input voltage range	100 – 120 V AC/200 – 240 V AC
Nominal frequency	47 – 64 Hz
Efficiency	91.6 %
TROX casing	Sheet steel
Protection level	IP 20
IEC protection class	I (protective earth)
Connection	Screw terminals
Temperature range	-25 – +70 °C
Derating	6 W/K (60 – 70 °C)
Output voltage	24 – 28 V DC (± 2 %) to SELV/PELV
Max. ripple voltage	50 mV
Mains buffering time	47 ms
Short-circuit protection / overload protection	Yes
EMC	EN 61000-6-1; EN 61000-6-2; EN 61000-6-4
LEDs	DC OK; 1 × LED, green
Weight	875.5 g
Dimensions	164 × 62 × 122.5 mm

Specification text

- Switching power supply unit TNC-D4013 for supplying power to the controller or text display
- Nominal voltage: < 230 V AC
- Output voltage: 24 – 28 V DC (± 2 %), SELV/PELV
- Output current: 10 A
- Nominal frequency: 47 – 64 Hz
- Efficiency: 91.6 %
- Connection: screw terminals
- Casing materials: galvanised sheet steel
- Ambient temperature: -25 to +70 °C
- Protection level: IP 20
- Status display: DC OK, 1 × LED
- Make: TROX GmbH or equivalent
- Type: TNC-D4013