

Installation Instruction Manual

Floor diffusers

Type FB...-KF

Spring clip fitting and installation of floor diffusers



General information

This manual describes the assembly and installation of floor diffusers with trim ring and spring clips for the following variants:

- FBA...KF
- FBK...KF

To ensure correct installation of the floor diffusers it is essential that the details in this manual are read before commencing work and are followed during the installation process. The manual must be given to the facilities manager when handing over the system. The facilities manager must include the manual with the system documentation.

The manufacturer does not accept liability for claims for damages resulting from non-observance of the manual or non-observance of legal regulations.

The manual is intended for designers, developers and operators of systems in which Type FB floor diffusers are to be used. The manual is also intended for persons conducting the following work:

- Installation
- Commissioning
- Servicing and cleaning
- Decommissioning, removal and disposal

Other applicable documentation

In addition to this manual please note the details in the technical leaflet.

Explanation of symbols used in this manual



Caution!

Designation of a danger that can cause minor personal injury or damage to property.

TROX[®] TECHNİK

TROX GmbH

Heinrich-Trox-Platz
D-47504 Neukirchen-Vluyn

Telephone +49 / 28 45 / 2 02-0

Telefax +49 / 28 45 / 2 02-2 65

e-mail trox@trox.de

www.troxtechnik.com

Design changes reserved / All rights reserved © TROX GmbH

Assembly and installation

Fixing the spring clips

The spring clips are supplied loose in a bag and must be fitted to the floor diffuser before installation.

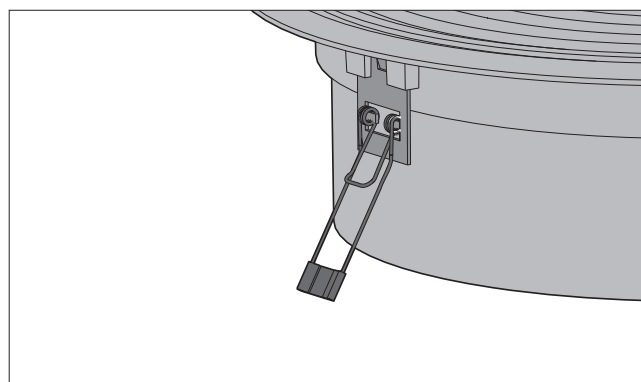
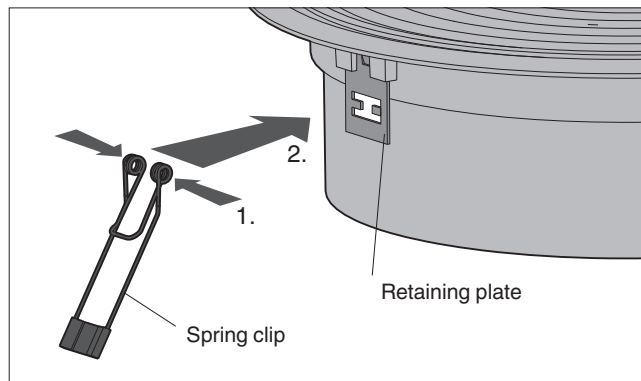


Caution!

Danger of injury from the spring mechanism.
Fingers may be pinched and crushed.
Assemble the spring clips with a suitable tools, e.g. pliers!

There are 4 spring clips for every diffuser. Assemble as follows:

1. Compress the spring clip at the coil sections.
2. Fix the spring clip to the nibs of the retaining plate.



Installing floor diffuser

The floor diffuser is installed in the floor tile as a complete unit, including spring clips, dirt trap if required and other components.

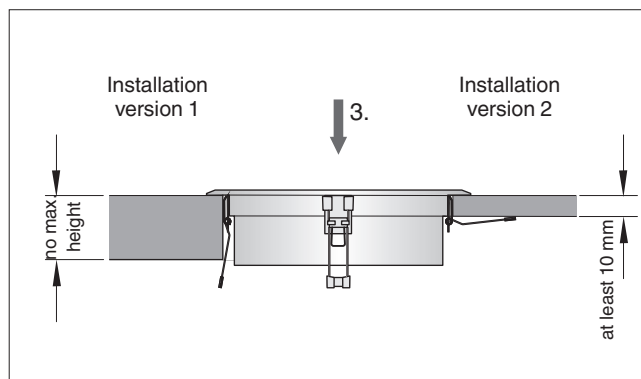
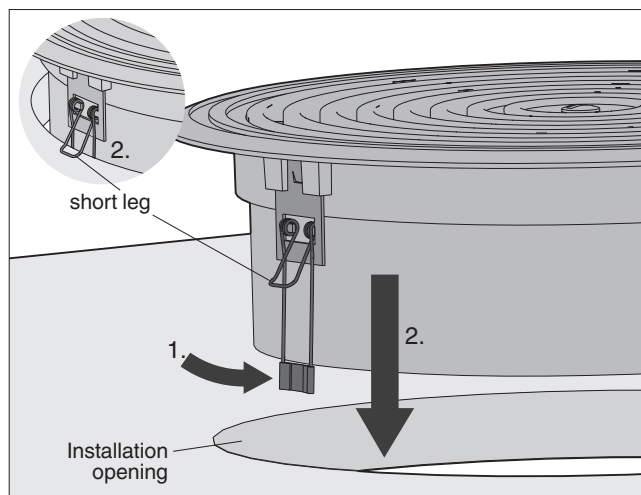


Caution!

Danger of injury from the spring mechanism.
Fingers may be pinched and crushed.
Do not put fingers under the trim ring when installing the FB.

Install the floor diffuser in the floor tile as follows:

1. Hold all 4 spring clips vertical.
2. Insert floor diffuser into the installation opening from above. The short legs of the spring clips must be in contact with the floor during this procedure.
3. Hold the floor diffuser from above and push into the installation opening with even pressure. Depending on the installation variant, the spring clips will be in contact with the vertical surface of the installation opening or rotate through 90 degrees and locate on the underside of the floor tile.



Removal

Removing the floor diffuser



Caution!

Danger of injury from the spring mechanism.
Fingers may be pinched and crushed.
Remove the floor diffuser with a suitable tool,
e.g. large screwdriver!

Removal as follows:

1. Lift floor diffuser at several points with a tool, e.g. screwdriver under the trim ring.
2. Pull the floor diffuser out of the installation opening. Hold it between the spring clips to prevent possible injury from snapping springs.

